

# Shear Clips/Flats and Plywood Clips



## SC34, SC35 & SC35F

**PRODUCT FEATURES:**

Shear Clips (SC34 & SC35) and Flat Shear Clips (SC35F) are multi-purpose framing angles and flat connectors for connecting studs, plates, headers, joists, etc.

**MATERIAL:**

SC34, SC35 & SC35F - 18 Gauge

**COATING:**

Galvanized (G185)



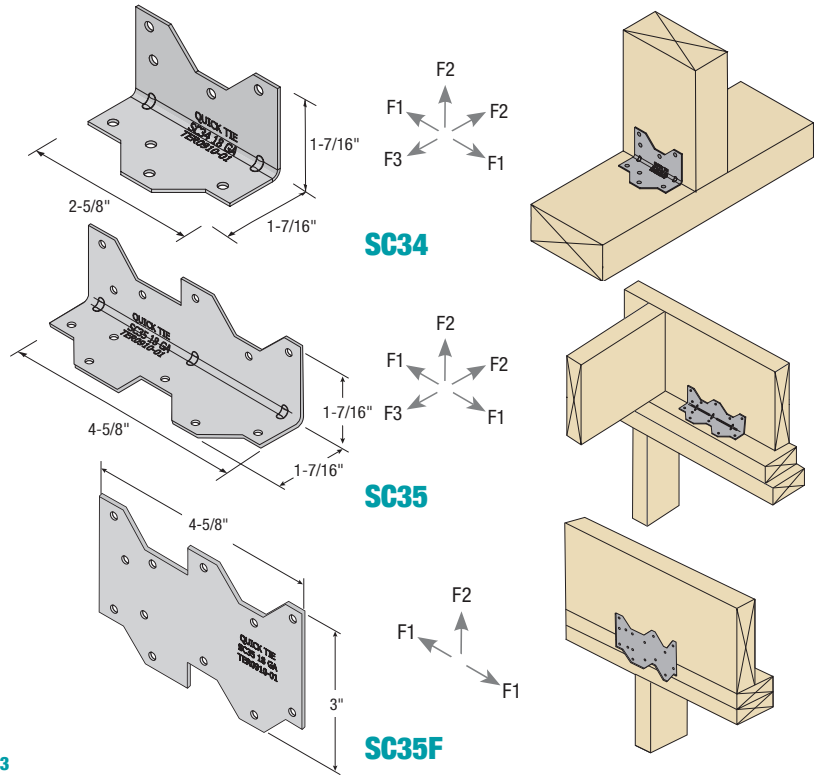
**INSTALLATION:**

- Use all specified fasteners in schedule to achieve values indicated.

**CODE COMPLIANCE:**

TER 0910-01; FL 3557

Part No.	Carton Qty
SC34	100
SC35	100
SC35F	200



## ALLOWABLE LOADS FOR SC34, SC35 & SC35F<sup>1,2,3</sup>

	Species	Fasteners		Allowable Loads (lb)					
				F1		F2		F3	
		Size	Total	1.00	1.60	1.00	1.60	1.00	1.60
SC34	Southern Pine	8d x 1-1/2"	8	425	685	425	685	215	325
	Douglas Fir-Larch	8d x 1-1/2"	8	395	630	395	630	170	255
	Spruce-Pine-Fir	8d x 1-1/2"	8	340	545	340	540	110	175
SC35	Southern Pine	10d x 1-1/2"	12	755	840	295	295	755	1,075
		10d x 3"	12	770	940	260	260	770	1,015
	Douglas Fir-Larch	10d x 1-1/2"	12	695	765	265	265	695	975
		10d x 3"	12	710	840	235	235	710	905
	Spruce-Pine-Fir	10d x 1-1/2"	12	595	650	200	230	595	830
		10d x 3"	12	605	720	200	200	605	775
SC35F	Southern Pine	10d x 1-1/2"	12	755	775	500	500	-	-
		10d x 3"	12	735	735	550	550	-	-
	Douglas Fir-Larch	10d x 1-1/2"	12	655	655	430	430	-	-
		10d x 3"	12	615	615	470	470	-	-
	Spruce-Pine-Fir	10d x 1-1/2"	12	560	560	370	370	-	-
		10d x 3"	12	525	525	400	400	-	-

**NOTES:**

1. The tabulated loads are per framing angle and flat connector.
2. SC34 and SC35 - Connectors are required on both sides of the joist/stud to achieve the F3 loads in both directions.
3. SC34 and SC35 - When installed directly across from each other on both sides of the joist/stud, the thickness of the joist/stud should be twice the length of the fastener.

## PC SERIES

**PRODUCT FEATURES:**

Plywood clips are used to support sheathing edges between rafters/trusses.

**MATERIAL:** 20 Gauge

**COATING:**

Galvanized

**INSTALLATION:**

- Install same size clip as panel thickness centered between rafter/truss.

Part No.	Description	Carton Qty
PC38	3/8" Panel Thickness	250
PC716	7/16" Panel Thickness	250
PC1532	15/32" Panel Thickness	250
PC12	1/2" Panel Thickness	250
PC1932	19/32" Panel Thickness	250
PC58	5/8" Panel Thickness	250
PC34	3/4" Panel Thickness	250

