

ANCHOR CHAIR (AC33)

PRODUCT FEATURES:

Anchor Chair (AC33) is utilized for the precise and easy placement of wet set/cast-in-place anchor rods in elevated slabs.

MATERIAL:

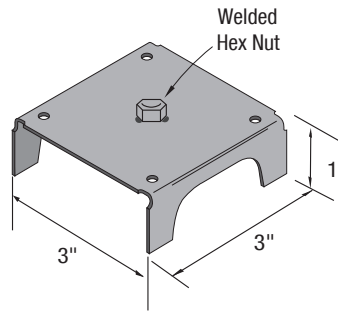
16 gauge

COATING:

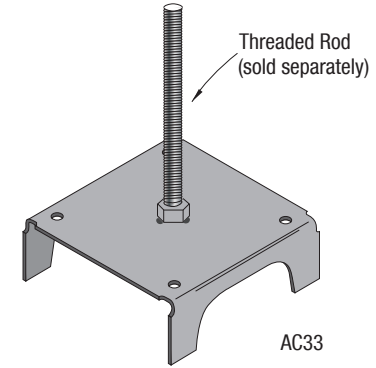
None

INSTALLATION:

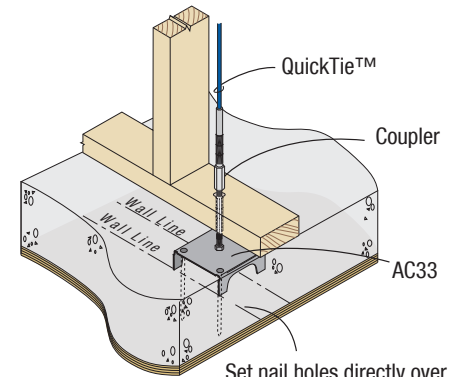
- Align nail holes over chalk line and nail to form.
- Install desired size anchor rod to AC33.



AC33



AC33



Set nail holes directly over chalk lines to align AC33 below wall, and place anchor in center of wall

Part No.	Description
AC33.37	Anchor Chair with 3/8" Welded Hex Nut
AC33.5	Anchor Chair with 1/2" Welded Hex Nut
AC33.62	Anchor Chair with 5/8" Welded Hex Nut
AC33.75	Anchor Chair with 3/4" Welded Hex Nut
AC33.87	Anchor Chair with 7/8" Welded Hex Nut
AC33.1.0	Anchor Chair with 1" Welded Hex Nut
AC33.1.12	Anchor Chair with 1-1/8" Welded Hex Nut
AC33.1.25	Anchor Chair with 1-1/4" Welded Hex Nut

ANCHOR BOLT

PRODUCT FEATURES:

Anchor bolts [ABG(L), ABO(L) & ABR(L)] are cast-in-place foundation anchors used to resist high wind uplift when assembled using QuickTie™ Couplers and QuickTie™ Cables (QTG, QTO & QTR).

Anchor bolts in bent forms are available for the applications where edge distance cannot be met.

ASSEMBLY:

Threaded Rod - ASTM A36 Steel, Zinc Plated

Hex Nut - Grade 2, Zinc Plated

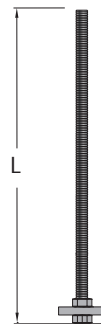
Square Washer - ASTM A653 Grade 33 Steel, Galvanized

(G90); ASTM A36 Steel, None or Zinc Plated

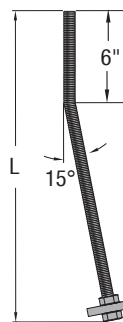
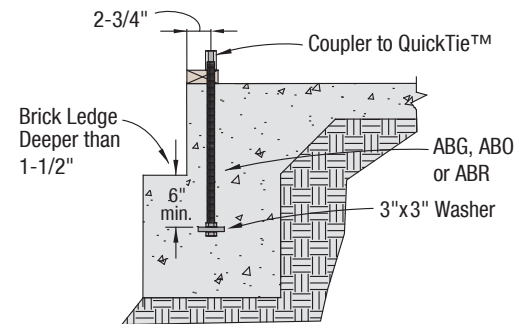
Coupler - Grade 2, Zinc Plated

INSTALLATION:

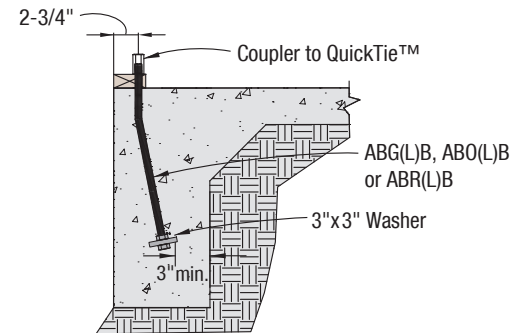
- Concrete should be a minimum of 2,500 psi.
- Install anchor bolt at required edge distance and embedment depth.



**ABG(L)
ABO(L)
ABR(L)**



**ABG(L)B
ABO(L)B
ABR(L)B**



Use this detail when the min. edge distance cannot be accomplished

Part No.	Length (L)*	Description
ABG21Z	21"	1/2" Rod, 3" x 3" Washer, Hex Nuts & Coupler
ABG21BZ	21"	1/2" Rod (Bent), 3" x 3" Washer, Hex Nuts & Coupler
ABO21Z	21"	5/8" Rod, 3" x 3" Washer, Hex Nuts & Coupler
ABO21BZ	21"	5/8" Rod (Bent), 3" x 3" Washer, Hex Nuts & Coupler
ABO21BZ-NC	21"	5/8" Rod (Bent), HFL, 3" x 3" Washer, Hex Nuts & Coupler
ABR21Z	21"	3/4" Rod, 3" x 3" Washer, Hex Nuts & Coupler
ABR21BZ	21"	3/4" Rod (Bent), 3" x 3" Washer, Hex Nuts & Coupler
ABR24Z	24"	3/4" Rod, 3" x 3" Washer, Hex Nuts & Coupler
ABR24BZ	24"	3/4" Rod (Bent), 3" x 3" Washer, Hex Nuts & Coupler

*Other lengths available upon request